



## Stationary 1064nm ND YAG Laser Hair Removal Machine For Beauty Salon

Our Product Introduction

### Basic Information

- Place of Origin: China
- Brand Name: Health&Beauty
- Model Number: KM900D
- Price: \$1,000.00 - \$4,350.00/sets
- Packaging Details: Aluminum case for DIODE LASER



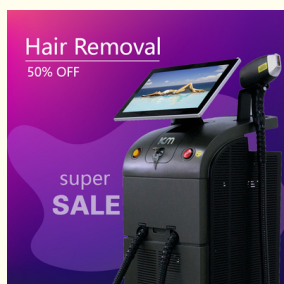
### Product Specification

- Q-Switch: NO
- Laser Type: 808nm Diode Laser
- Style: Stationary
- Type: Laser, Beauty Personal Care 4K Laser Hair Removal Machines
- Feature: Skin Tightening, Pore Remover, Anti-Hair Removal, Whitening, Hair Removal, Face Lift, Acne Treatment, Skin Rejuvenation, Diode Laser For Hair Removal 808nm Beauty Machine Depilight
- Application: For Commercial
- After-sales Service Provided: Free Spare Parts, Video Technical Support, Field Installation, Commissioning And Training, Online Support, Field Maintenance And Repair Service
- Warranty: 2 Years, 2 Years And Lifelong Technical Services
- Machine Type: 808nm/755+808nm+1064nm Diode Laser



for more products please visit us on wfkmdz.com

### More Images



## Product Description

German Languages Stationary 1064nm ND YAG Laser Hair Removal Machine For Beauty Salon

**15 years manufacturer Weifang KM 808nm diode laser hair removal machine 3 waves 755 1064 808 diode laser systems Speed trio 3D ice titanium laser depilation hair salon equipment**

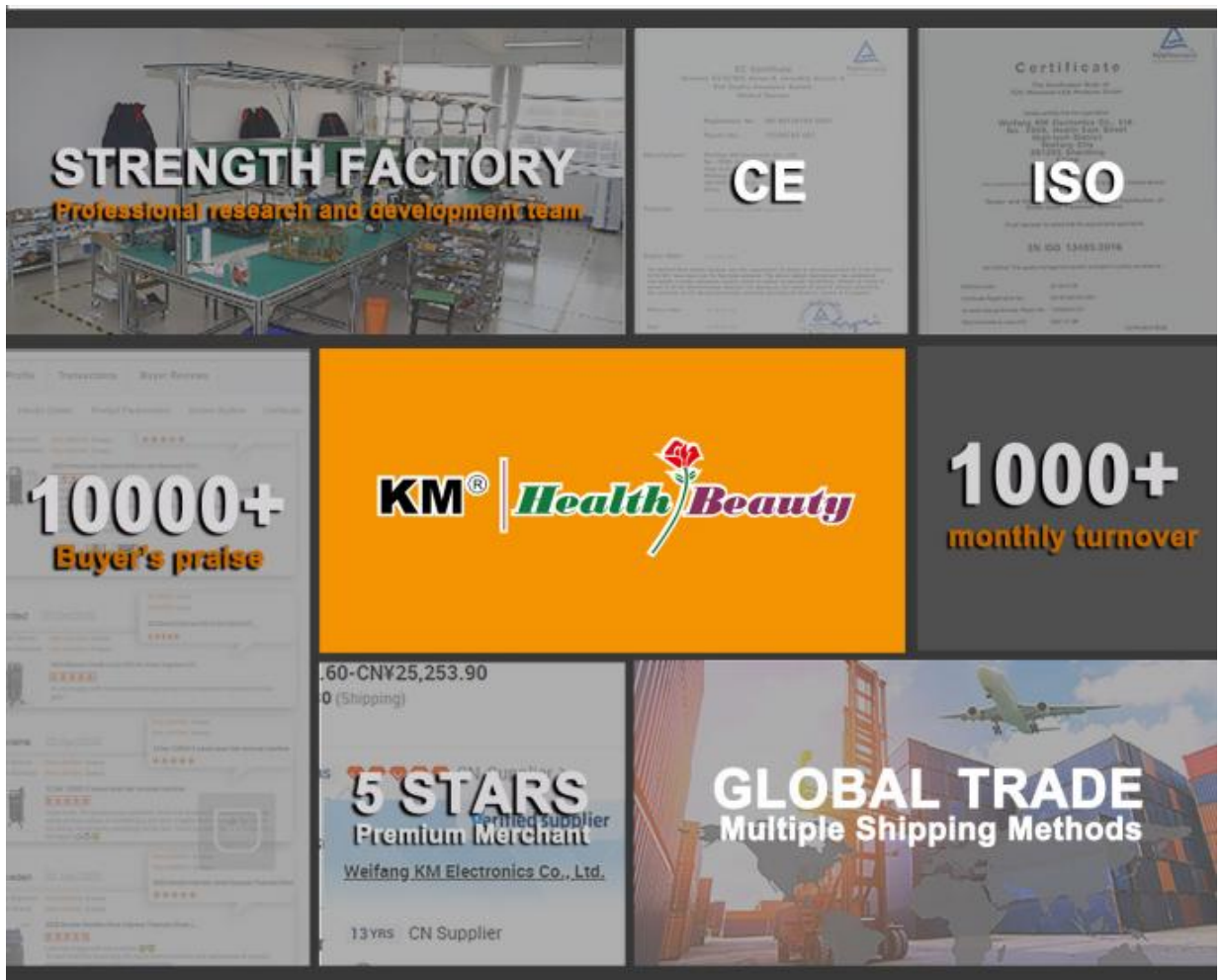
Would you want to get quick reply within 24 hours online?

**Contact Steven whatsapp: 0086186 6360 3467**

The professional machine is use for beauty salon, spa, clinic ect. We can offer OEM/ODM for our distributors.

### **KM Ice Titanium laser feature:**

1. Germany TUV, ISO13485, ROHS, MDSAP, Australia TGA approved
2. No pigmentation. Suitable for any kind of skin and hairs. Safe and Fast.
3. Continuous working 12h: Air+water+unique designed TEC cooling system, controls steady water temperature 24°C, ensure machine works continuously all the day, even in summer without air-conditioner laser hair removal machine.
- 4 Free Shipping is sea transportation. Need other mode of transport, please kindly contact sales. Thank you so much.



**What is diode laser hair removal?**

Diode laser hair removal comes with 808nm wavelength laser stack or 755+808+1064 triple wavelength laser stack with semiconductors technology. They are assembled together to produce light for permanent hair removal/hair reduction/depilation/epilation treatment!

# Diode laser

hair removal machine

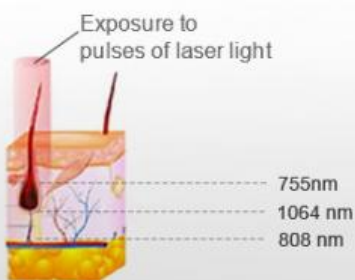


# NEW TITANIUM

Large 4cm<sup>2</sup> spot size and advanced cooling system, treatments are now much faster and pain free driven new solution in the world of professional hair removal.



01 Before

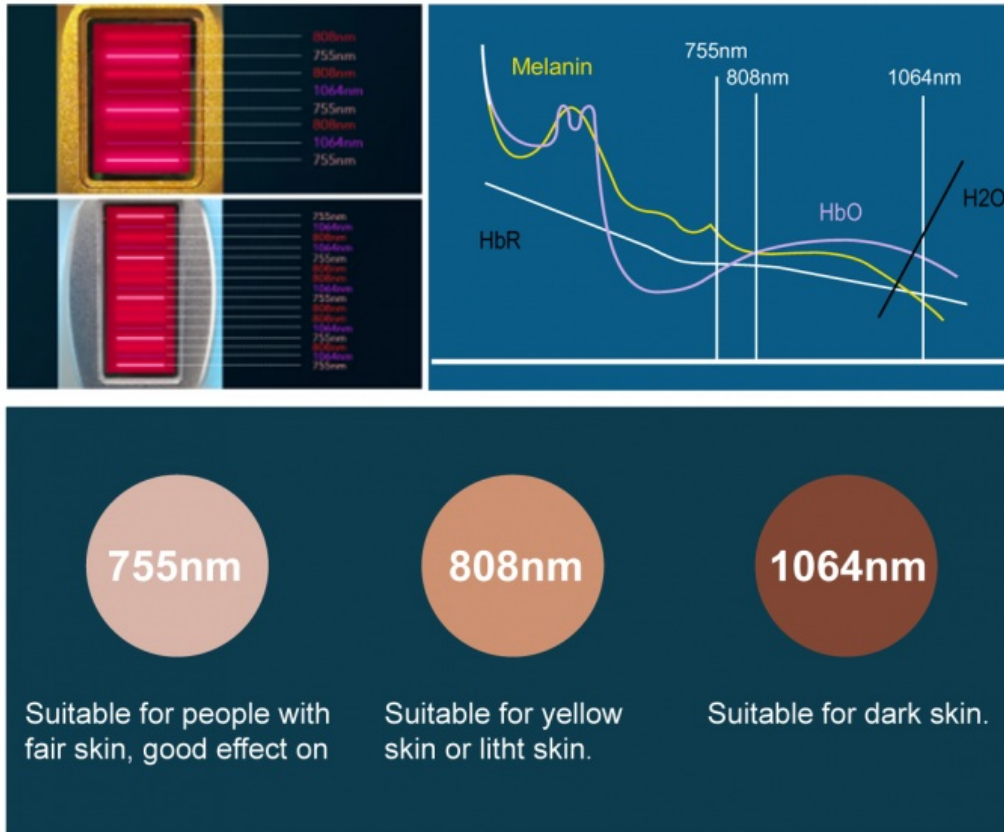


02 The melanin absorbs the light and heats up



03 After





## Details Images

### Why all beautician prefer 808nm diode Laser hair removal machine

----- please check following answer

- 1) High energy, no pigmentation, excellent treatment result can be expected at the first treatment and suitable to all types of hair.
- 2) Long laser width, Effective for the hair follicles produce heat accumulation, Permanent hair removal.
- 3) Safety, Almost no skin scattering, no harm to the skin and sweat glands, no scar, no any side-effect
- 4) Skin-Touching cooling system can make momentary epidermal anesthesia, no any painless during
- 5) Best thermostatic water cycle system guarantee semiconductor pump can't burn cavities due to overheating.
- 6) Self-checking and auto-protection mechanism to ensure the stability.
- 7) Strong Sapphire touch cooling system can make momentary epidermal anesthesia, no any painless during
- 8) Quick: Squared big spot size could prompt the treatment speed, treatment speed and efficiency.
- 9) The power module design is suitable for import and export business

# Water and electricity separation design



PP cotton and resin double filters



Italy brand water pump



Extra TEC cooling



15.6 inch screen with WIFI and Bluetooth



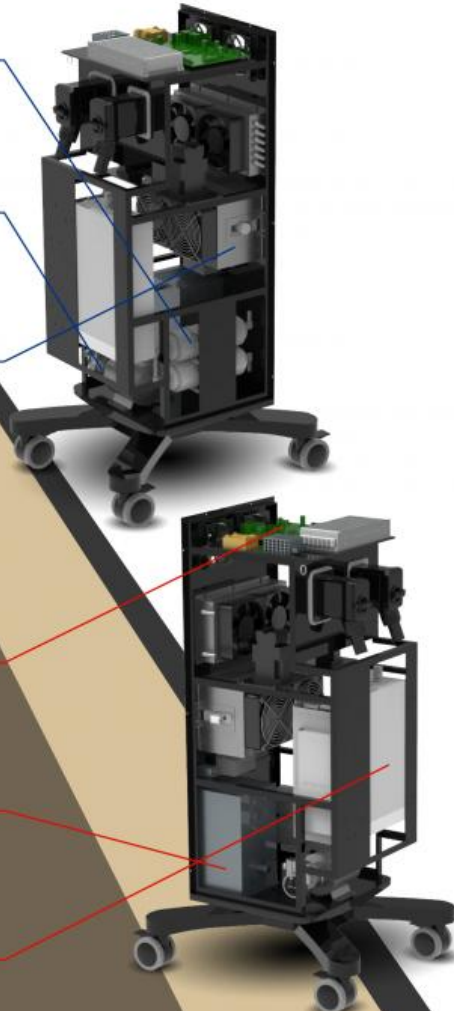
Upgradable smart control board



Big capacitor water tank



Medical Standard power supply



## New KM laser technology advantages

### 1. TEC active cooling

TEC active cooling design, ensure continuously working for 10 hours in 30C Room-Temperature.

### 2. 3D Air Cooling System

All heat from components will be cooled down by 3D air cooling system.

### 3. Heat Insulation Water Tank

### 4 Liter Heat insulation water tank,

surrounding by Heat insulation material, always keep water temperature below 20C

### 5. Safety electric wires

All cold-compressing molecules accurately produced by Advanced machine

6. **The Chunk of each electric wire is identified**

Easy Plug-and-play connectors design, easy for maintenance

7. **Explosion-proof design**

Plug and Play connectors with Metal Lock, high strength

8. **Explosion-proof PU Water Tube**, never water leakage

9. **Plug-and-play connectors**; Plug-and-play connectors

10. **Independent water and electricity circulation**

Independent water and electricity circulation 100% avoid short circuit caused by water leakage

11. **The digitization of Current and Voltage** effectively monitor pump, freezer, important elements

12. **Supports USB Software** Updating, no need to open whole machine case

13. **New printer function** can help add printer function for free

**Our USA Coherent Bar**

- ✓ More laser sheets-100 millions
- ✓ Real 3 wavelength 755+808+1064
- ✓ High power each bar 100W
- ✓ Stable quality longer lifetime

**VS**

**Other Company**

- ✗ Chinese bar, less shots: 5-10 millions
- ✗ Not real 3 waves
- ✗ Each bar just 50W
- ✗ Poor quality, easy burn





Imported from Italy

# WATER PUMP SYSTEM

Quiet and stable operation





A variety of different powers and different spot sizes are available to meet the treatment needs of different parts of the customer



14×14mm  
300-500W



12×20mm  
500-1000W



12×27mm  
1000-1600W



12×35mm  
1200-2400W

**Different power handle with different spot size for different area treatment. From 300W to 2400W which can meet different level client's request**

#### **Why choose KM diode laser hair removal machine?**

\* Much stable and higher powerful new golden welding laser module with USA Coherent bars. It can shot about 30 million times.

\* Double water filters, only change filters per 6 months and 1 year. And some old filters in some machines need change filter every month . Save much maintainance cost and times for you.

\* New Italy Bluid-o-tech imported water pump replaced Chinese pump with better cooling system and more quiet during treatment. Those obvious difference will be found when your customers compare with some machines with Chinese water pump.

\* Japan TDK Six way power supply replaced four way power supply, much higher and stable output.

\* TEC cooling system , can control water temperature by yourself to keep 808 diode laser machine running continuously within 24 hours even in Summer . Same function as your A/C in your house.

\* Various power laser modules for your option , 300W 500W 600W 800W 1000W 1200W 1600W ... (6bars 10basr 12bars 16 bars )

\* Single 808 wave, 755nm/808nm/1064nm double wave and triple wave for option.

\* Same inside parts as KM Titanium ICE

# STABLE AND STRONG



4K 15.4 Inch Screen



Can reach  $-26.8^{\circ}\text{C}$



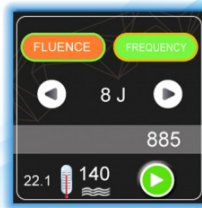
Italy water pump



USA Coherent Bar

## More than just display

1.54-inch high-definition OLED touch screen, treatment parameters can be adjusted directly on the handle screen.



- Energy adjustment
- Frequency adjustment
- Pulse width adjustment
- Real-time temperature monitoring

## NEW Version handpiece with LCD

1) You can adjust treatment parameters directly via handpiece screen even during treatment.

2) Much convenient and intelligent technology with KM quality.

## Our Advantages



## Custom Section



### OEM Services Free

- 1) logo can help add on welcome screen and machine case for free
- 2) 36 different languages can choose
- 3) machine case color can choose
- 4) help add renting system in free

Order 5 sets get 1 free handle

order 10 sets get 1 free machine

Product Paramenters

Laser type	Diode laser
Laser wavelength	808nm or 3 wave 755&808&1064nm
Spot size	12*12 mm <sup>2</sup> ,12*20 mm <sup>2</sup> ,15*27 mm <sup>2</sup> , 12*35 mm <sup>2</sup> (optional )
Pulse width	1-300 ms (adjustable)
Energy	1-320 J/cm <sup>2</sup> (adjustable)
Frequency	1-10 Hz(adjustable)
Language	English, Spanish, Italian, German, French, Turkish or any other language as requested
Skin type	I-VI skin type
Update system	USB update
Rent System	Optional
Display	15inch' color touch LCD display
Laser module power	600W/800W/1000w/1200W/1600W
Cooling	water + air + semiconductor + A/C+TEC big cooler part in
Voltage	110V/220V±20V, 50/60Hz

## Company Profile

---

### FACTORY FLOOR SCENE



### 5 PRODUCTION LINE FOR MACHINES ASSEMBLE AND HANDPEICE ASSEMBLE



## PROFESSIONAL TESTING TOOL



\* TUV medical CE approved 93/42/EEC standard

\* TUV ISO 13485:2016 newest standard and more strict for production line inspection

\* There is few supplier get Medical CE and ISO13485 from TUV in China market now

\* KM was founded in 2009, and we employ more than 100 highly valued team members. Every year, our team participates in beauty machine exhibitions to actively learn about the demands of the beauty market from the customers and other industry professionals themselves. This allows us added knowledge to design more competitive products

\* KM has many medical and production certifications around the world, including (TUV) CE, (TUV) ISO 13485:2016, new type machine shell patent certification, Import and export license, Medical equipment production enterprise license and we have been awarded a High-tech enterprise certificate in China.

\* KM's enterprise vision is customer-oriented and we are dedicated to providing end customers with high quality and cost efficient beauty equipment. KM continues to work hard for customers in order to become a world famous supplier of beauty machines and medical equipment

### Certifications

---



# MACHINE DELIVERY



**KM** *Health/Beauty* **Weifang KM Electronics Co., Ltd.**

☎ 13606464486

✉ sales@wfkmdz.com

🌐 wfkmdz.com

D3-H-0, D3-H-17, D3-H-18, No. 7999, East Health Street, Yongchun Community, Qingchi Street, High-Tech Zone, Weifang, Shandong, China