



Professional Diode Laser Hair Removal Beauty Equipment with 808nm Laser and Q Switch

Our Product Introduction

for more products please visit us on wfkmdz.com

Basic Information

- Place of Origin: Shandong, China
- Brand Name: Healthy&beauty
- Model Number: laser hair removal machine
- Price: \$3,480.00/sets 1-99 sets
- Packaging Details: professional Aluminium box

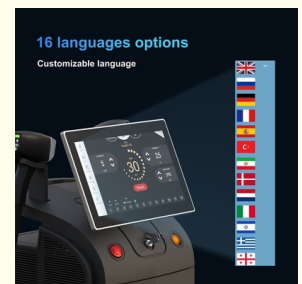
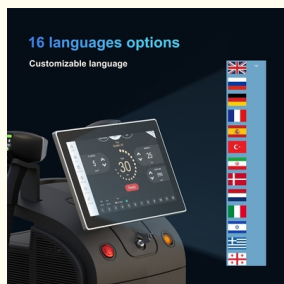


Product Specification

- Q-Switch: NO
- Laser Type: 808 Diode Laser
- Style: Stationary
- Type: Laser
- Feature: Hair Removal, Face Lift, Skin Rejuvenation
- Application: For Commercial
- After-sales Service Provided: Free Spare Parts, Online Support, Video Technical Support, Field Installation, Commissioning And Training, Field Maintenance And Repair Service
- Warranty: 2 Years
- Spot Size: 20*10mm ,10*10mm, 15*27mm 12*35
- Frequency: 0.5-10 Hz
- OEM&ODM: YES ,professional
- Update: USB Update
- Training: Detail User Manual+DVD Video+online



More Images



Certifications

Would you want to get quick reply within 24 hours online?

Please contact my Tel/WhatsApp/Wechat number : [+8618754414717](tel:+8618754414717)

The professional machine is use for beauty salon, spa, clinic ect. We can offer OEM/ODM for our distributors.

KM Ice Titanium laser feature:

1. Germany TUV, ISO13485, ROHS, MDSAP, Australia TGA approved

2. No pigmentation. Suitable for any kind of skin and hairs. Safe and Fast.

3. Continuous working 12h: Air+water+unique designed TEC cooling system, controls steady water temperature 24°C, ensure machine works continuously all the day, even in summer without air-conditioner laser hair removal machine.

Free Shipping is sea transportation. Need other mode of transport, please kindly contact sales. Thank you so much.

CUSTOMER VISIT



ALL KINDS OF POWER AND WAVELENGTH LASER MODULE CAN REACH YOUR REQUIREMENTS

CERTIFICATE



WHY CHOOSE US ?

WEIFANG KM ELECTRONICS CO.,LT

<p>16 YEARS</p> <p>16 years professional manufacturer of beauty equipments with TUV Medical CE approved</p> <p>Weifang KM</p>	<p>Verified</p> <p>Alibaba Five Star Verified Golden Supplier</p> <p>Weifang KM</p>	<p>Professional Level</p> <p>Top brand professional testing tools such as Israel VEGA energy meter, oscilloscope etc</p> <p>Weifang KM</p>	<p>Gift Policy</p> <p>Free machine gift policy to support distributors business</p> <p>Weifang KM</p>	<p>After Sale Service</p> <p>Fast and professional sale service</p> <p>Contact Supplier Chat Now!</p> <p>Weifang KM</p>
--	--	---	--	--

How to choose a suitable laser hair removal machine?

We are Weifang KM electronics Co.,Ltd, a manufacturer of beauty laser machine since 2009. How should you choose a good supplier for the best machine, best price and timely after service? After doing a lot of research at beauty exhibition, in the E-commerce website, or by google , all manufacturer tell you that their machine quality is best, their price is best. But for you, how do you tell the difference between the different suppliers? To be honestly, that is not really enough time in this two minutes video for me to compare between different suppliers. But I am going to give you 4 things which you should consider 1. Don't compare a machine by it's specification parameters, it will be a misleading if you are not familiar with the machine technical. Normally, they generally think that a high power, high number on the specification

means that machine is wonderful. But do you really think the machine meet your request? 2. Don't buy a very cheaper machine, don't buy a overpriced machine. Buy a machine in middle price with good value. I will tell you how choose a good price machine. 3. Don't buy machine from trading company. As we know, aesthetic beauty machines need timely and professional after service, need good training. A real manufacturer can give you technical support and online training, they can also help you to solve the machine problem with their engineer. I will tell you how to find a real manufacturer 4. Don't buy machine which don't have Medical CE, FDA, MDSAP certificate etc approval. Do you know why? Please contact me by whatsapp to get more information: +8618754414717

PROFESSIONAL TESTING TOOL



1) ISRAEL VEGA BRAND AND USA COHERENT BRAND LASER ENERGY METER. FIRST-CLASS BRAND ENERGY METER TO TEST MACHINES TO BE SURE ACCURATE AND REAL OUTPUT BEFORE SHIPPING .
 2) OSCILLOSCOPE FOR DISTINGUISH DIFFERENT WAVELENGTH TO BE SURE YOU GET REAL 3 WAVES WHAT YOU REQUEST .

The important data behind machine

use professional testing tools

1 Power meter: coherent power meter, professional testing laser power

2 Energy meter: Israel imported VEGA energy meter, professional testing laser energy output

3) Spectrometer: Spectral wavelength tester to make sure each laser wavelength is accurate

4 Energy tested report: Each machine through the United States coherent energy meter detection

Each laser will undergo multi-stage data testing before storage, after machine assembly, and before leaving the factory, including power, energy, band testing, etc. **Ensure that each machine meets , ISO13485, Medical CE, TGA, MDSAP certification standards**

Safety and quality are non-negotiable in beauty machine industry

Details Images

KM Laser Machine advantages

1. USA TEC cooling system
2. Italy made water pump
3. USA Coherent company Laser stack
4. Double filter system
5. Accurate energy output
6. USA Certificate and Medical CE

Diode Laser depilation handle

The 3 waves works in the same handle at the same time
 755nm for white skin(fine, golden hair)
 808nm for yellow/neutral skin
 1064nm for black(black hair)

USA Intelligent AI identification technology



STABLE AND STRONG



4K 15.4 Inch Screen



Can reach -26.8°C

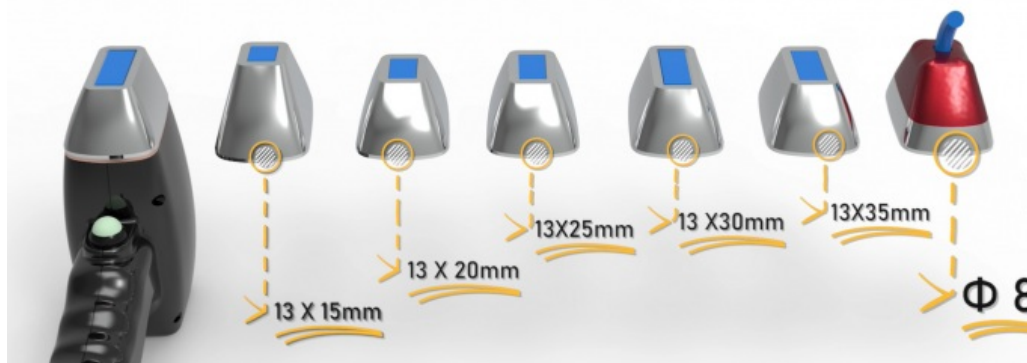
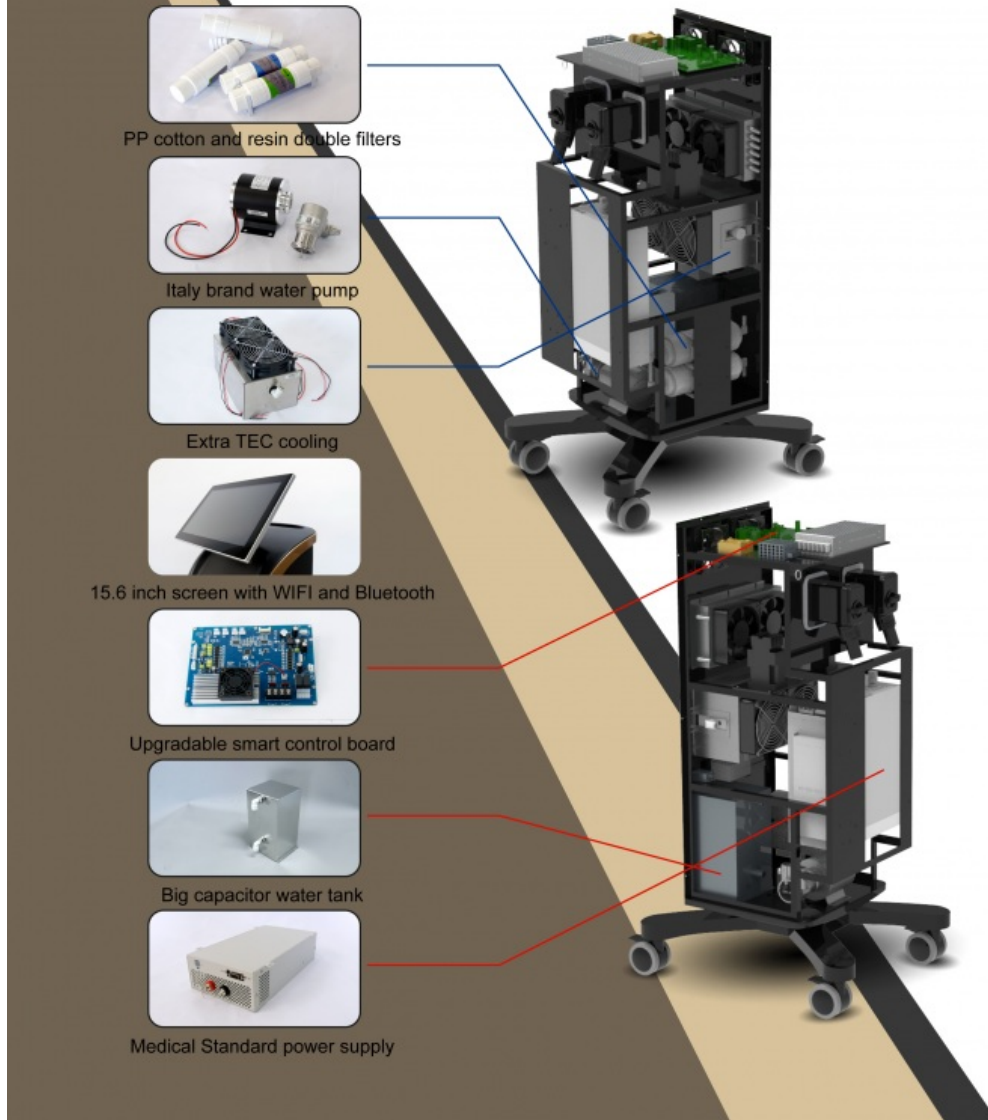


Italy water pump



USA Coherent Bar

Water and electricity separation design



Product Parameters

Laser type	Diode laser
Laser wavelength	808nm or 3 wave 755&808&1064nm or 755nm+808nm+1064nm+940nm

Spot size	12*12 mm ² , 12*20 mm ² , 15*27 mm ² , 12*35 mm ² (optional)
Pulse width	1-300 ms (adjustable)
Energy	1-320 J/cm ² (adjustable)
Frequency	1-10 Hz(adjustable)
Language	English, Spanish, Italian, German, French, Turkish or any other language as requested
Skin type	I-VI skin type
Update system	USB update
Rent System	Optional
Display	15inch' color touch LCD display
Laser module power	600W/800W/1000w/1200W/1600W/2000w/2400W
Cooling	water + air + semiconductor + A/C+TEC big cooler part in
Voltage	110V/220V±20V, 50/60Hz

Our Advantages

Why choose KM diode laser hair removal machine?

- * Much stable and higher powerful new golden welding laser module with USA Coherent bars. It can shot about 30 million times.
- * Double water filters, only change filters per 6 months and 1 year. And some old filters in some machines need change filter every month . Save much maintainance cost and times for you.
- * New Italy Bluid-o-tech imported water pump replaced Chinese pump with better cooling system and more quiet during treatment. Those obvious difference will be found when your customers compare with some machines with Chinese water pump.
- * Japan TDK Six way power supply replaced four way power supply, much higher and stable output.
- * TEC cooling system , can control water temperature by yourself to keep 808 diode laser machine running continuously within 24 hours even in Summer . Same function as your A/C in your house.
- * Various power laser modules for your option , 300W 500W 600W 800W 1000W 1200W 1600W ... (6bars 10basr 12bars 16 bars)
- * Single 808 wave, 755nm/808nm/1064nm double wave and triple wave for option.
- * Same inside parts as KM Titanium ICE

HANDLE SCREEN

The parameters can be adjusted on the handle control screen
Convenient and fast operation

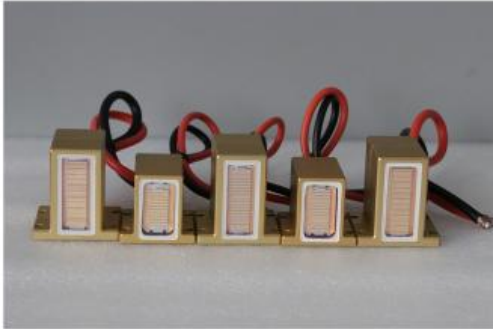


2022 Version handpiece with LCD

1)You can adjust treatment parameters directly via handpiece screen even during treatment.

2)Much convenient and intelligent technology with KM quality .

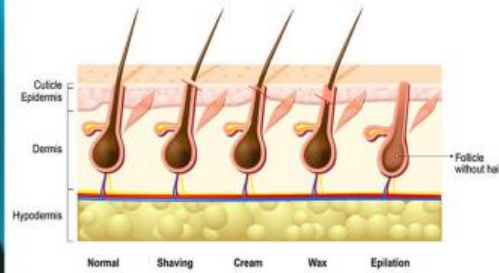
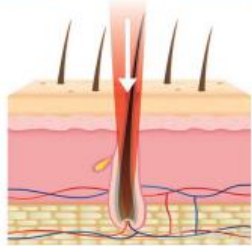
USA COHERENT LASER MODULE



ALL KINDS OF POWER AND WAVELENGTH LASER MODULE CAN REACH YOUR REQUIREMENTS

LASER MODULE

Laser Hair Removal



DIFFERENT SPOT SIZE 14*14MM², 12*20MM², 12*35MM² OPTIONAL
 METAL FACIAL TIP OPTIONAL FOR EAR, NOSE AND LIPS SMALL AREA TREATMENT

TREATMENT SCOPE



FACTORY FLOOR SCENE



5 PRODUCTION LINE FOR MACHINES ASSEMBLE AND HANDPEICE ASSEMBLE



Packing & Delivery

Machine packaging





Quality

Product all under strict standard of CE, RoHS, TUV.



Warranty

12 months free warranty, lifetime technical service. 24 hours online service.



Experience

Over 20 years experience, Top three manufacturer in China.



Trust

KM products have covered more than 130 countries.

 [cindywang003](https://www.whatsapp.com/chat?phone=8618754414717)  0086-18754414717

 kmlaser@kmttech.net.cn



Weifang KM Electronics Co., Ltd.

 13606464486

 sales@wfkmdz.com

 wfkmdz.com

D3-H-0, D3-H-17, D3-H-18, No. 7999, East Health Street, Yongchun Community, Qingchi Street, High-Tech Zone, Weifang, Shandong, China